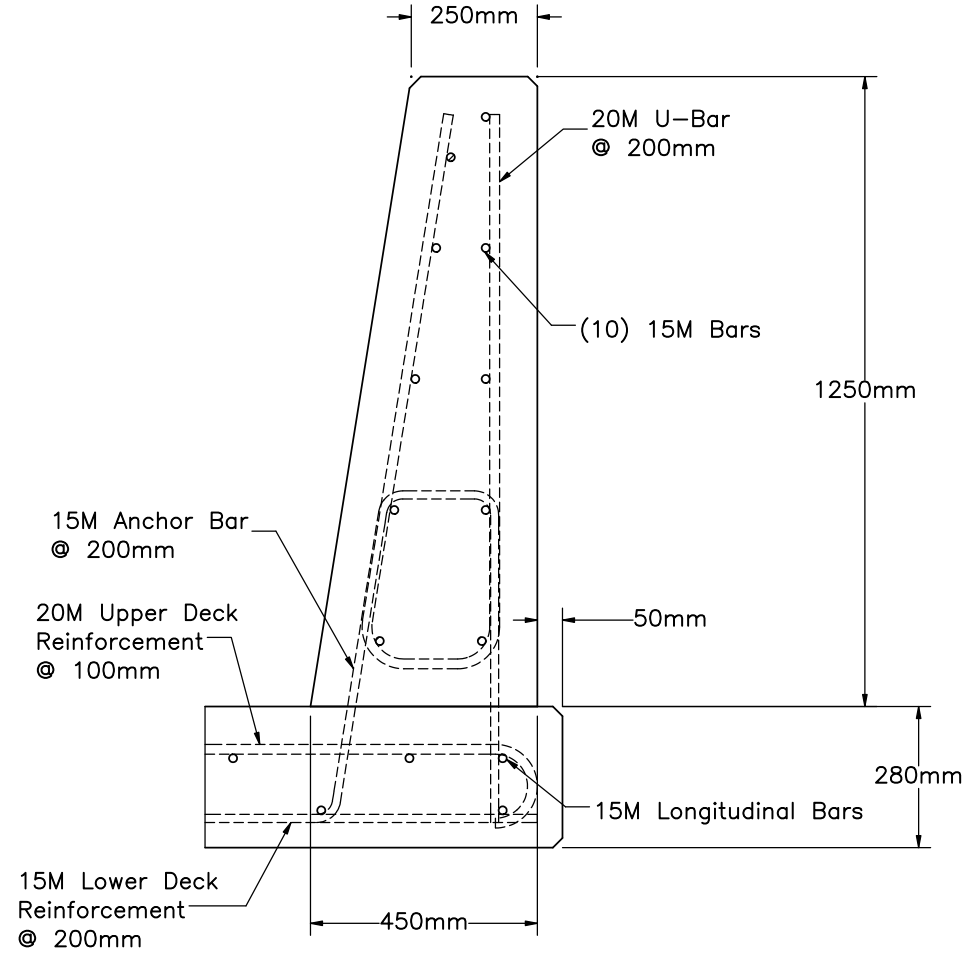


INTERIOR SECTION



END SECTION

- Notes:
- (1) Canadian metric rebar steel grade 400W.
 - (2) Min. concrete strength $f'_c = 45\text{MPa}$ [6,500 psi].
 - (3) Min. end length section = 2.785m (9.14 ft).
 - (4) 75mm (3 in.) clear cover all rebar.



Midwest Roadside Safety Facility

Manitoba Constrained-Width, Tall Wall - TL-5 Bridge Rail Configuration

Barrier Layout

DWG. NAME:
ManitobaRail_Recommendations_R1

SCALE: 1:15
UNITS: mm

SHEET:
1 of 1
DATE:
8/29/2016
DRAWN BY:
JEK
REV. BY:
SKR